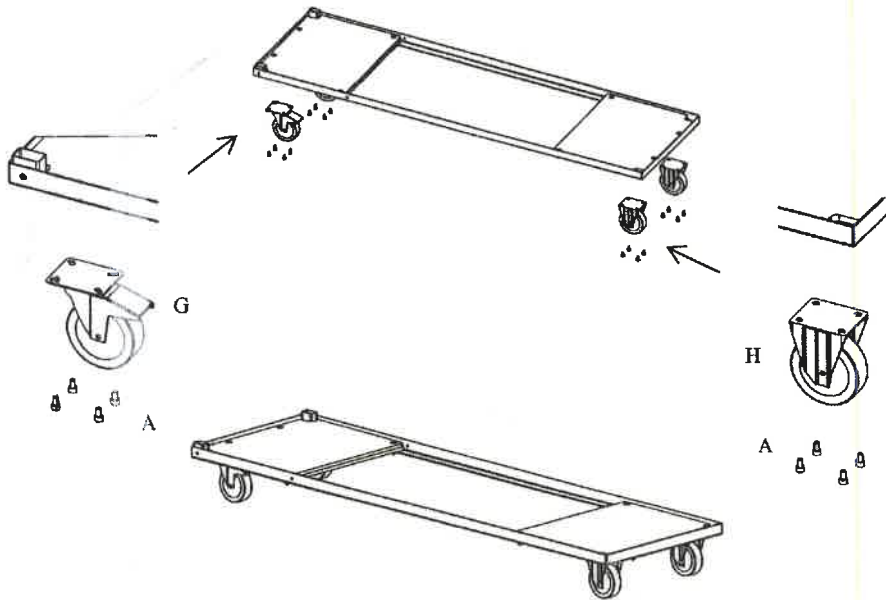
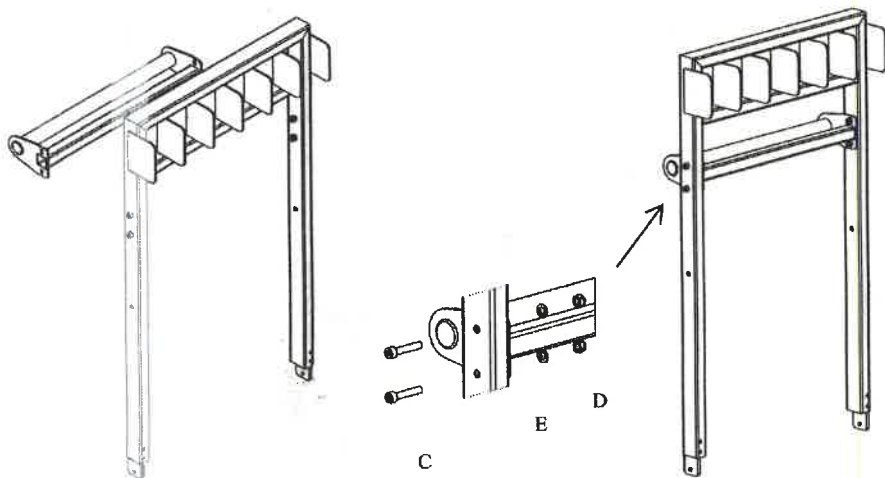


## Trolley assembly

1. Attach the wheels (G, H) to the main frame using the screws (A) provided.

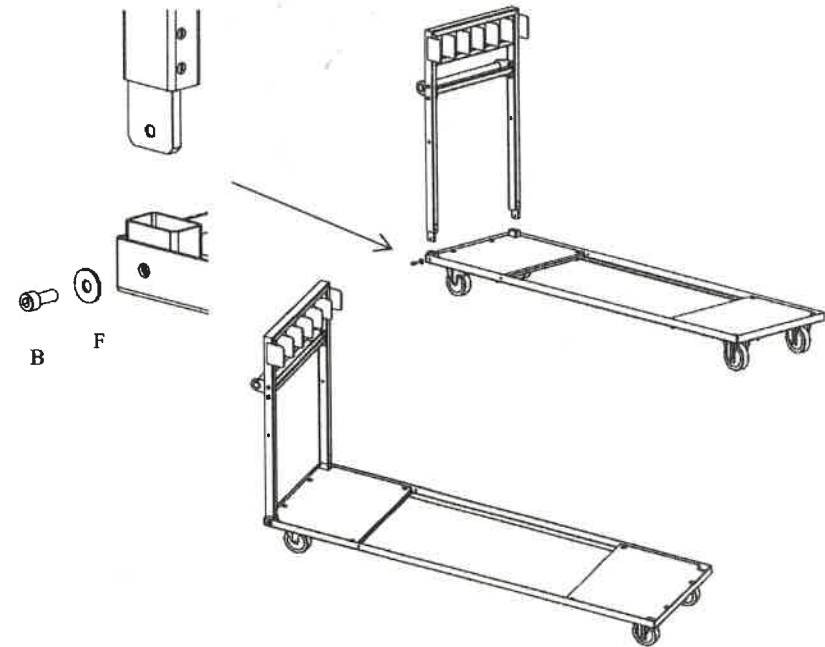


2. Build the handle together using the screws (C) washers (E) and nuts (F) provided.



## Trolley assembly

3. Attach the handle to the trolley and fasten it using the bolts (B) provided.



4. Attach the side brackets (I) with the screws to the main frame and handle.

